



Catalogue

LMAR1317T

ABBE Refractometer - Touch Screen



2024-25

LMAR1317T

CATALOGUE 2024-25



SALIENT FEATURES

- ✦ Touchscreen Display, Range 1.30000 - 1.72000
- ✦ 5 digit decimal point precision
- ✦ Temperature range - 20°C to + 120°C
- ✦ Measurement of refractive index nD of transparent or translucent liquid and solid substances
- ✦ Measurement of the Brix of sugar solution
- ✦ Automatic correction of the effect of temperature on the Brix
- ✦ Fully automatic measuring system
- ✦ Prism made of hard glass, Memory 500 data
- ✦ It works with 589nm wavelength and uses LED as light source.

Touch Screen ABBE Refractometer LMAR1317T

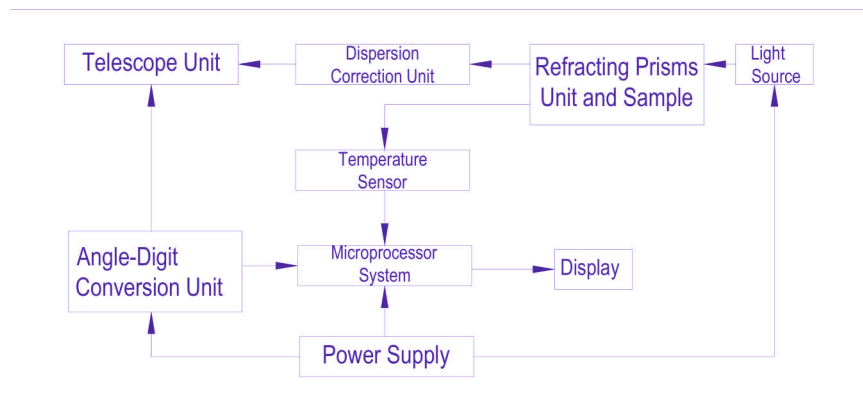


E - Catalogue

This instrument can widely be used in petroleum, chemical, pharmaceutical, sugar refining and food industries, as well as in related colleges, universities and scientific research institutions for measuring refractive index nD of transparent, semi transparent liquid.

This instrument can also be used to measure the Brix (BX) of the sugar solution, and correct the effect of temperature on the Brix automatically. In addition, this instrument can also display the temperature of the sample.

Principle Block



STANDARD ACCESSORIES : Main Instrument, Kit Box, Power Cable, RS232C Cable, Software CD, Test Certificate

LMAR1317T

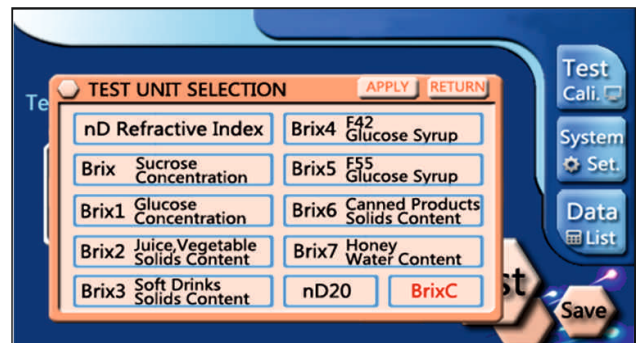
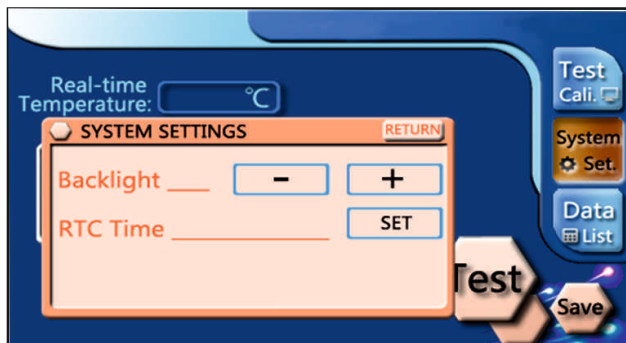
CATALOGUE 2024-25



Touch Screen ABBE Refractometer

HSN Code : 90275030

SPECIFICATIONS	Model	LMAR1317T
	Make	LABMAN
	Measurement range Refractive index nD	1.30000-1.72000
	Measurement range dissolved solids Brix°	0-100%
	Accuracy refractive index nD	± 0.00002
	Accuracy Dissolved Solids Brix°	± 0.1%
	Measuring resolution Refractive index nD	0.00001
	Brix°	0.01%
	Temperature Range	-20°C to +120°C
	Temperature Resolution	0.1°C
	Correcting Range of Brix Versus Temperature	15°C-45°C
	Display	Color touch screen
	Interface	RS232C / USB
	Data Storage	500 sets
	Protection grade	IP20
	Input power	30W
	Power Supply	AC 220V,50/60Hz
	Dimensions (LxWxH)	370x240x300 mm
Gross Weight	12kg	



Sample temperature can be controlled by using Refrigerated Circulating Bath (Optional)

LABMAN PRODUCTS

Laboratory & Scientific Instruments



				
Total Organic Carbon Analyzer	Microwave Digestion System	COD Analyzer with Digester	BOD Analyzer with CFR	Bio Chemistry Analyzer
				
Touch Screen Digital Polarimeter with CFR	Touch Screen Digital Refractometer with CFR	Touch Screen ABBE Refractometer	Double / Single Beam UV-Vis.Spectrophotometer	Double Beam UV-Vis.Spectrophotometer
				
Single Beam UV-Vis.Spectrophotometer	Visible Spectrophotometer	Peltier / Sipper System	Gradient Thermal Cycler PCR	Visual Colorimeter
				
Ice Flaker - Touchscreen	Refrigerated Circulating Bath	Refrigerated Circulating Bath	Industrial Ultrasonic Cleaner	Degas - Function Ultrasonic Cleaner
				
Probe Sonicator with Remote	Ceramic Hotplate Magnetic Stirrer	Hotplate Magnetic Stirrer	Digital Viscometer	Low Viscosity Adaptor
				
Dry Bath Incubator	Vortex Mixer	Digital Water Bath	pH meter with Printer	pH/Cond./Multipara./Ion/DO Meter 2mm to 25mm
				
Turbidity Meter	Online pH/Conductivity Controller	Nitrate / Fluoride - ISE	Conductivity Cell	Probe for Probe Sonicator